

Technical data sheet

Product features



Cooking range gas with electric static oven

| | | |
|--------------|-----------------|----------|
| Model | SAP Code | 00014795 |
|--------------|-----------------|----------|



- Device type: Combined unit
- Power consumption of the zone 1 [kW]: 7,5
- Power consumption of the zone 2 [kW]: 7,5
- Power consumption of the zone 3 [kW]: 4,5
- Power consumption of the zone 4 [kW]: 7,5
- Power consumption of the zone 5 [kW]: 7,5
- Power consumption of the zone 6 [kW]: 4,5
- Ignition: Eternal flame
- Type of internal part of the appliance 1 (eg oven): Electric
- Type of internal part of the appliance 2 (eg oven): Static
- Material: AISI 304 top plate and cladding

| | | | |
|----------------------------|-----------------------------|---|----------|
| SAP Code | 00014795 | Number of zones | 6 |
| Net Width [mm] | 1200 | Power consumption of the zone 1 [kW] | 7,5 |
| Net Depth [mm] | 730 | Power consumption of the zone 2 [kW] | 7,5 |
| Net Height [mm] | 900 | Power consumption of the zone 3 [kW] | 4,5 |
| Net Weight [kg] | 139.30 | Power consumption of the zone 4 [kW] | 7,5 |
| Power electric [kW] | 6.300 | Power consumption of the zone 5 [kW] | 7,5 |
| Loading | 400 V / 3N - 50 Hz | Power consumption of the zone 6 [kW] | 4,5 |
| Power gas [kW] | 39.000 | Type of internal part of the appliance 1 (eg oven) | Electric |
| Type of gas | Natural gas, propane butane | Type of internal part of the appliance 2 (eg oven) | Static |

Technical data sheet

Technical drawing

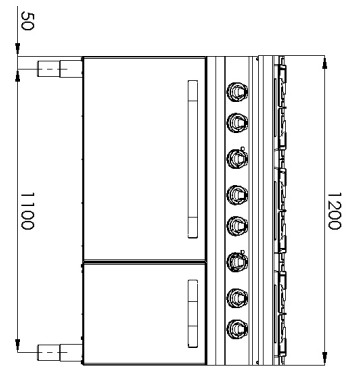
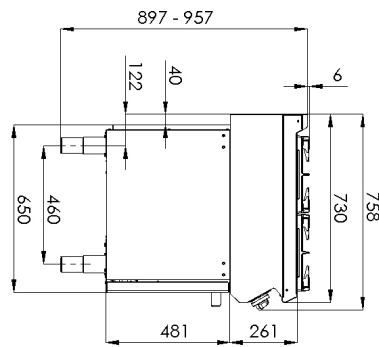
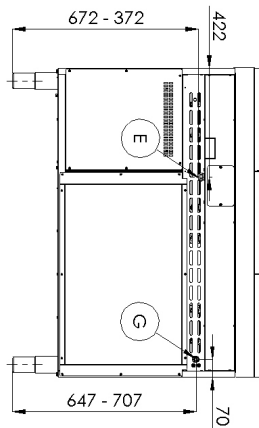


Cooking range gas with electric static oven

Model

SAP Code

00014795



Technical data sheet

Technical parameters



Cooking range gas with electric static oven

Model

SAP Code

00014795

1. SAP Code:

00014795

2. Net Width [mm]:

1200

3. Net Depth [mm]:

730

4. Net Height [mm]:

900

5. Net Weight [kg]:

139.30

6. Gross Width [mm]:

1260

7. Gross depth [mm]:

820

8. Gross Height [mm]:

1080

9. Gross Weight [kg]:

156.00

10. Device type:

Combined unit

11. Construction type of device:

Stationary

12. Power electric [kW]:

6.300

13. Loading:

400 V / 3N - 50 Hz

14. Power gas [kW]:

39.000

15. Ignition:

Eternal flame

16. Type of gas:

Natural gas, propane butane

17. Exterior color of the device:

Stainless steel

18. Material:

AISI 304 top plate and cladding

19. Worktop type:

Molded - comfortable cleaning maintenance

20. Worktop material:

AISI 304

21. Worktop Thickness [mm]:

1.50

22. Number of zones:

6

23. Power consumption of the zone 1 [kW]:

7,5

24. Power consumption of the zone 2 [kW]:

7,5

25. Power consumption of the zone 3 [kW]:

4,5

26. Power consumption of the zone 4 [kW]:

7,5

27. Power consumption of the zone 5 [kW]:

7,5

28. Power consumption of the zone 6 [kW]:

4,5

Technical data sheet

Technical parameters



Cooking range gas with electric static oven

Model

SAP Code

00014795

29. Maximum device temperature [°C]:

300

30. Minimum device temperature [°C]:

50

31. Grid material:

Cast iron

32. Service accessibility:

Trough the frontal panel

33. Safety thermocouple:

Yes

34. Adjustable feet:

Yes

35. Number of burners/hot plates:

6

36. Type of gas cooking zones:

Classic

37. Burner type:

Cast iron, detachable, with internal and external combustion

38. Oven Type:

electrical static

39. Oven power electric [kW]:

6.30

40. Oven size:

GN 2/1

41. Type of internal part of the appliance 1 (eg oven):

Electric

42. Type of internal part of the appliance 2 (eg oven):

Static

43. Gasket:

Yes

44. Maximum temperature of the inner chamber [°C]:

300

45. Minimum temperature of the inner chamber [°C]:

50

46. Connection to a ball valve:

1/2

47. Cross-section of conductors CU [mm²]:

1

- Výkon (kW): 3,7-5 (230 V); 6,4-8,7 (400 V)